

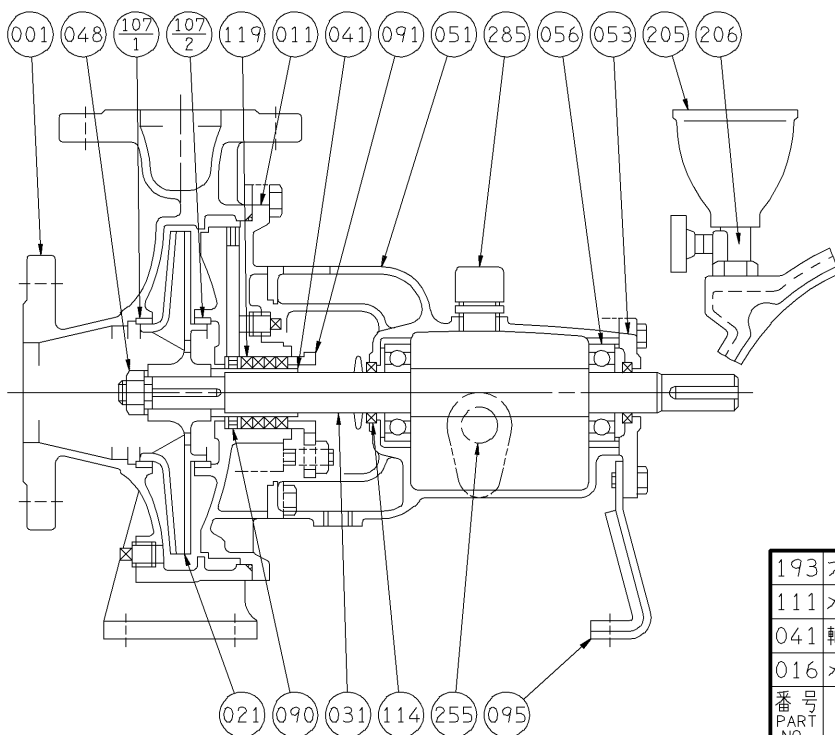
エバラFSW型片吸込渦巻ポンプ

EBARA END SUCTION VOLUTE PUMPS

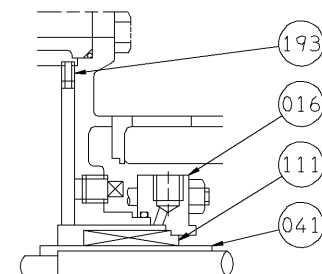
断面図 SECTIONAL VIEW

65×50FSW2H, 2J
80×65FSW2J
100×80FSW2H, 2J

適用範囲
APPLICATION



メカニカルシール (特殊仕様)
MECHANICAL SEAL (OPTION)



| 193 | プラグ | PLUG | SUS304 | 304 STAINLESS | 1 |
|----------------|------------------|-----------------------|--------|------------------------|---|
| 111 | メカニカルシール | MECHANICAL SEAL | | | 1 |
| 041 | 軸スリーブ | SHAFT SLEEVE | SUS304 | 304 STAINLESS | 1 |
| 016 | メカニカルシールカバー | MECHANICAL SEAL COVER | SUS304 | 304 STAINLESS | 1 |
| 番号 PART NO. | 部品名 PART NAME | 材料 MATERIAL | | 個数 NO-FOR 1 UNIT | |

| 285 | 空気抜き | AIR BREATHER | 合成樹脂 | PLASTIC | 合成樹脂 | PLASTIC | 合成樹脂 | PLASTIC | 合成樹脂 | PLASTIC | 1 |
|----------------|------------------|------------------|--------------|------------------|--------------|---------------------------------|--------------|--------------------------------|--------------|-------------------------|---|
| 255 | 油面計 | LEVEL GAUGE | 合成ゴム 合成樹脂 | RUBBER PLASTIC | 合成ゴム 合成樹脂 | RUBBER PLASTIC | 合成ゴム 合成樹脂 | RUBBER PLASTIC | 合成ゴム 合成樹脂 | RUBBER PLASTIC | 1 |
| 206 | 呼水弁 | PRIMING VALVE | C3771BD | BRASS | FC150 SUS304 | CAST IRON 304 STAINLESS | C3771BD | BRASS | FC150 SUS304 | CAST IRON 304 STAINLESS | 1 |
| 205 | 呼水じょうご | PRIMING FUNNEL | 合成樹脂 | PLASTIC | 合成樹脂 | PLASTIC | 合成樹脂 | PLASTIC | 合成樹脂 | PLASTIC | 1 |
| 119 | グランドパッキン | GLAND PACKING | 炭化繊維 | CARBONIZED FIBER | 炭化繊維 | CARBONIZED FIBER | 炭化繊維 | CARBONIZED FIBER | 炭化繊維 | CARBONIZED FIBER | 4 |
| 114 | オイルシール | OIL SEAL | ゴム/NBR | RUBBER/NBR | ゴム/NBR | RUBBER/NBR | ゴム/NBR | RUBBER/NBR | ゴム/NBR | RUBBER/NBR | 2 |
| 107-2 | ライナリング | CASING RING | CAC406 (BC6) | BRONZE | FC150 | CAST IRON | CAC406 (BC6) | BRONZE | SUS304 | 304 STAINLESS | 1 |
| 107-1 | ライナリング | CASING RING | CAC406 (BC6) | BRONZE | FC150 | CAST IRON | CAC406 (BC6) | BRONZE | SUS304 | 304 STAINLESS | 1 |
| 095 | 支柱 | STAY | SS | STEEL | SS | STEEL | SS | STEEL | SS | STEEL | 1 |
| 091 | パッキン押え | GLAND | FC150 | CAST IRON | FC150 | CAST IRON | FC150 | CAST IRON | SUS304 | 304 STAINLESS | 1 |
| 090 | 封水リング | LANTERN RING | SUS304 | 304 STAINLESS | SUS304 | 304 STAINLESS | SUS304 | 304 STAINLESS | SUS304 | 304 STAINLESS | 1 |
| 056 | 玉軸受 | BALL BEARING | | | | | | | | | 2 |
| 053 | 軸受カバー | BEARING COVER | FC150 | CAST IRON | FC150 | CAST IRON | FC150 | CAST IRON | FC150 | CAST IRON | 1 |
| 051 | 軸受ケーシング | BEARING HOUSING | FC150 | CAST IRON | FC150 | CAST IRON | FC150 | CAST IRON | FC150 | CAST IRON | 1 |
| 048 | 羽根車ナット | IMPELLER NUT | C3604BD | BRASS | SUS304 | 304 STAINLESS | C3604BD | BRASS | SUS304 | 304 STAINLESS | 1 |
| 041 | 軸スリーブ | SHAFT SLEEVE | SUS420J1 | 420 STAINLESS | SUS420J1 | 420 STAINLESS | SUS420J1 | 420 STAINLESS | SUS304 | 304 STAINLESS | 1 |
| 031 | 主軸 | SHAFT | SUS403 | 403 STAINLESS | SUS403 | 403 STAINLESS | SUS403 | 403 STAINLESS | SUS304 | 304 STAINLESS | 1 |
| 021 | 羽根車 | IMPELLER | CAC406 (BC6) | BRONZE | FCD400 | GRAPHITE CAST IRON | SCS13 | STAINLESS CASTING | SCS13 | STAINLESS CASTING | 1 |
| 011 | ケーシングカバー | CASING COVER | FC200 | CAST IRON | FC200 | CAST IRON | FC200 | CAST IRON | FC200 | CAST IRON | 1 |
| 001 | ケーシング | CASING | FC200 | CAST IRON | FC200 | CAST IRON | FC200 | CAST IRON | FC200 | CAST IRON | 1 |
| 番号 PART NO. | 部品名 PART NAME | 標準仕様 STANDARD | | 全鉄仕様 ALL IRON | | 羽根車 SCS13 STAINLESS IMPELLER | | 要部ステンレス MAIN PART STAINLESS | | 個数 NO-FOR 1 UNIT | |
| 材料 MATERIAL | | | | | | | | | | | |

| | | | | | | | | | | | |
|------------------|--|--------------------|--|------------------|-------------------|-------------------|-------------------|-----------|--|--|--|
| 御注文主 CUSTOMER | | 御使用先 FINAL USER | | 機器番号 ITEM NO. | | 機器名称 ITEM NAME | | | | | |
| 荏原製番 SER. NO. | | 機名 MODEL | | 吐出し量 CAPACITY | 全揚程 TOTAL HEAD | 同期速度 SPEED | 出力 OUTPUT | 数量 QTY | | | |
| | | | | | | | min ⁻¹ | | | | |



EBARA CORPORATION

図番 DWG. NO. VFSW-0611 001
VFSW-0611

021213